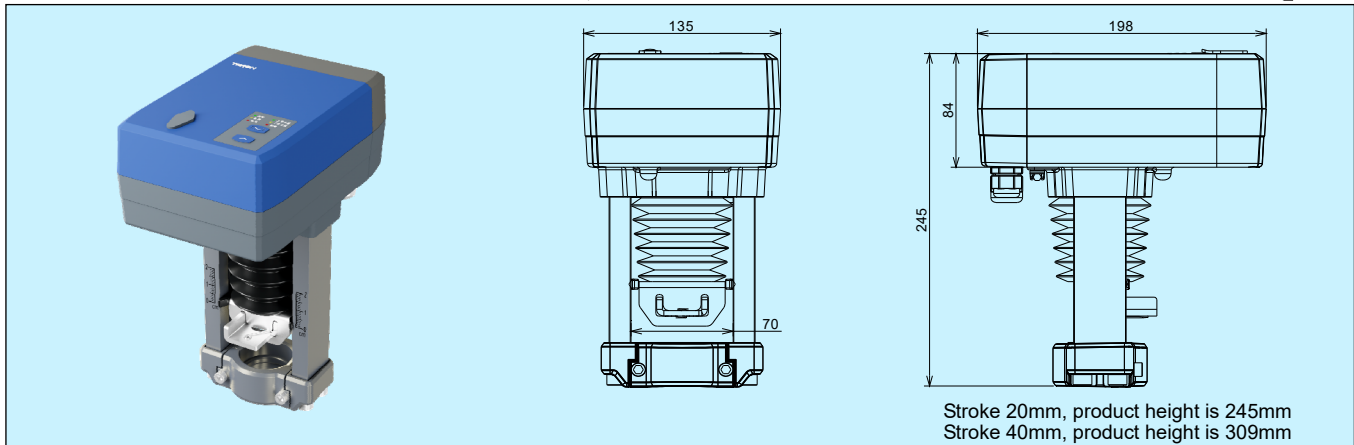


GVA20 Globe Valve Actuator, 2000N Series



Applications & Features

- Special designed for the control of globe valves in various HVAC system and equipment. Can apply with TEREN's GVS/GVF (for water) or GVSH/GVFH (for steam) globe valves or other brands' matchable globe valves
- Easily assemble: connect the actuator and valve, the adapter can self-centered the valve stem and can turn 360° on the neck of the valve
- Mechanical position indication and limit: can be adjusted within the full stroke
- Self-adaptive within max. 25mm stroke, with full stroke overload protection function
- Can be local controlled through the two buttons on top cover, for controlling any position of the valve
- Manual operation: can be mechanically manual operated, when the power is off or the control signal input is absence, for modulating, repairing or maintenance
- Fail position can be set by DIP switch, for the valve to stop at safe position when signal input is absence (Hold/0/50/100%)
- Three colors LED can display various status of the actuator
- DIP switches can set direction, speed, etc.
- Fail-safe function optional. When external power is failed, the actuator can still operate to the full open or close position which can be set by DIP switch.
- Multiple power, control and feedback signals can be selected
- Industrial design, stable and reliable operation, long life

Specifications

Force: 2000N

Stroke: 20 or 40mm, self-adaptive range 15~25 or 35~45mm

Medium and temp.: Water or steam, -10~180°C

Working temp.: -30~50°C, 0~95%RH, no cond. (EN60730-1)

Storage temp.: -40~80°C

Direction of operation: DIP switchable

Position indicator: Mechanical

Manual operation: By two push buttons

Running time: Standard 60s(3s/mm) or medium speed 40s(2s/mm), DIP switchable

Power supply:

Power range	19.2~28.8V AC/DC	85~265V, 50/60Hz
Consumption	Act 28VA, Hold 2VA	Act 30VA, Hold 2VA
Protection	class III-low voltage safe	class II-totally insulated

Control Signal: on/off, 3 pos; 0(2)~10V(input impedance 100kΩ)/(0)4~20mA(input impedance 200Ω); RS485/Modbus

Internal feedback: 0(2)~10V (max. output 1mA); 4~20mA (max. load 500Ω); RS485/Modbus RTU

Internal switch: 2xSPDT, 0.5A/30VDC

Service life: 100,000 cycles (full stroke, standard speed)

Fail-safe position: Zero or Full scale, set by DIP switch

Fail-safe delay time: 2s

Fail-safe running time: <30s

Capacitor charge time: About 15min

Capacitor service life: >10 years

Electrical connection: PG11, screw terminal

Mode of operation: Type 1 to EN60730-1

Noise: ≤45dB

Protection: IP65

Material: Top and terminal cover: fire retardant PC(UL94V-0); box: die-casting aluminum; holder: aluminum alloy; base: die-casting aluminum; clip: SS

Weight: 2.8kg (24V basic model)

Approval: CE

Models

Model	GVA20			Globe valve actuator, 2000N
Stroke		0		20mm
		1		40mm
Power		0		24V AC/DC
		1		85~265V AC
Control Signal			1	ON/OFF, 3-Pos
			2	0(2)~10V/(0)4~20mA
			8	RS485/Modbus RTU
Feedback Signal			0	N/A
			1	2xSPDT
			2	0(2)~10V/(0)4~20mA
			8	RS485/Modbus RTU

1. When control signal is 1, feedback may be 0 or 1; If control signal is 2, feedback may be 0 or 2. Meanwhile, the control signal will be the same as the feedback signal (whether it is current or voltage type, depends on the DIP set). If control signal is 8, feedback may be 0 or 8.

2. If select fail-safe function, add suffix S to the model.