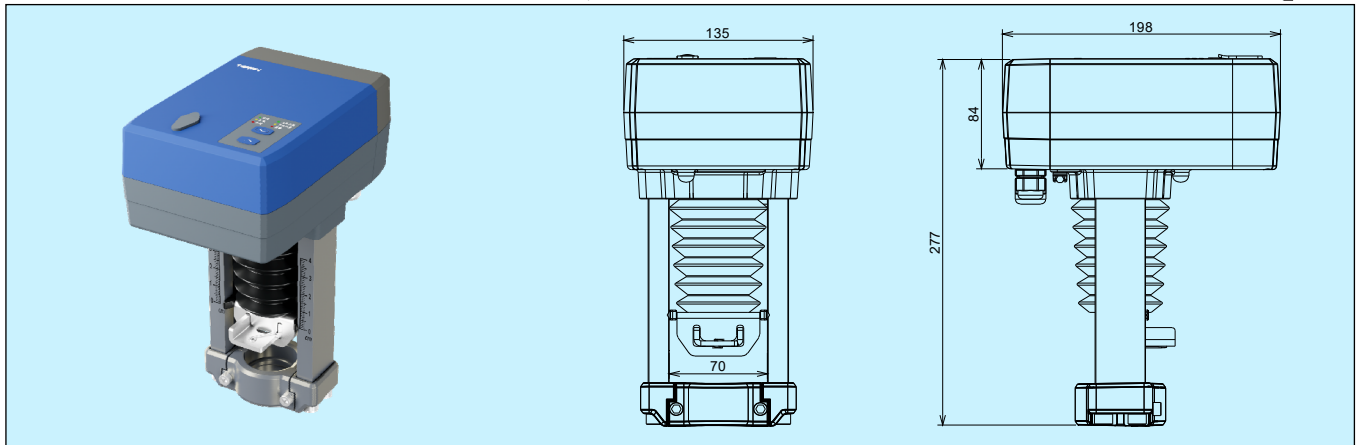


GVA35 Globe Valve Actuator, 3500N Series



Applications & Features

- Special designed for the control of globe valves in various HVAC system and equipment. Can apply with TEREN's GVF globe valves or other brands' matchable globe valves
- Easily assemble: connect the actuator and valve, the adapter can self-centered the valve stem and can turn 360° on the neck of the valve
- Mechanical position indication and limit: can be adjusted within the full stroke
- Self-adaptive within max. 25mm stroke, with full stroke overload protection function
- Can be local controlled through the two buttons on top cover, for controlling any position of the valve
- Manual operation: can be mechanically manual operated, when the power is off or the control signal input is absence, for modulating, repairing or maintenance
- Fail position can be set by DIP switch, for the valve to stop at safe position when signal input is absence (Hold/0/50/100%)
- Three colors LED can display various status of the actuator
- DIP switches can set direction, speed, etc.
- Multiple power, control and feedback signals can be selected
- Industrial design, stable and reliable operation, long life

Models

Model	GVA35			Globe valve actuator, 3500N
Stroke		0		40mm
Power		0		24V AC/DC
		1		85~265V AC
Control Signal			1	ON/OFF, 3-Pos
			2	0(2)~10V/(0)4~20mA
			8	RS485/Modbus RTU
Feedback Signal			0	N/A
			1	2xSPDT
			2	0(2)~10V/(0)4~20mA
			8	RS485/Modbus RTU

When control signal is 1, feedback may be 0 or 1; If control signal is 2, feedback may be 0 or 2. Meanwhile, the control signal will be the same as the feedback signal (whether it is current or voltage type, depends on the DIP set). If control signal is 8, feedback may be 0 or 8.

Specifications

Force: 3500N

Stroke: 40mm, self-adaptive range 35~45mm

Medium and temp.: Water, -10~120°C

Working temp.: -30~50°C, 0~95%RH, no cond. (EN60730-1)

Storage temp.: -40~80°C

Direction of operation: DIP switchable

Position indicator: Mechanical

Manual operation: By two push buttons

Running time: Standard 60s(3s/mm) or medium speed 40s(2s/mm), DIP switchable

Power supply:

Power range	19.2~28.8V AC/DC	85~265V, 50/60Hz
Consumption	Act 28VA, Hold 2VA	Act 30VA, Hold 2VA
Protection	class III-low voltage safe	class II-totally insulated

Control Signal: on/off, 3 pos; 0(2)~10V(input impedance 100kΩ)/(0)4~20mA(input impedance 200Ω); RS485/Modbus

Internal feedback: 0(2)~10V (max. output 1mA); 4~20mA (max. load 500Ω); RS485/Modbus RTU

Internal switch: 2xSPDT, 0.5A/30VDC

Service life: 100,000 cycles (full stroke, standard speed)

Electrical connection: PG11, screw terminal

Mode of operation: Type 1 to EN60730-1

Noise: ≤45dB

Protection: IP65

Materials: Top and terminal cover: fire retardant PC(UL94V-0); box: die-casting aluminum; holder: aluminum alloy; base: die-casting aluminum; clip: SS

Weight: 3.1kg (24V basic model)

Approval: CE